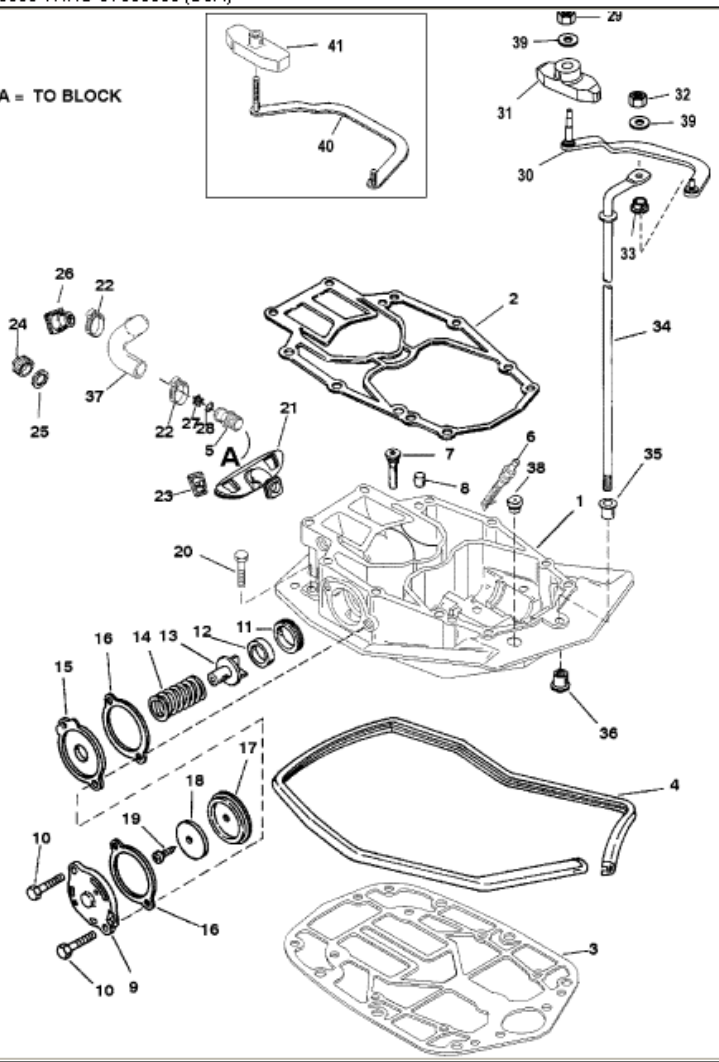


A = TO BLOCK



Parts List					
Ref	Class	Part	Description	Qty	Footnote
1		832935A15	EXHAUST PLATE	1	
2	27	832933	2 GASKET	1	2,5
3	27	832934	3 GASKET (LOWER)	1	2
4		823805	1 SEAL	1	
5	22	832076	1 CHECK VALVE FITTING	1	
6	35	834808	4 STRAINER	1	
7	21	817519A	1 DRAIN CHECK VALVE	2	
8	17	43044	4 DOWEL PIN	4	
9		65663A	2 COVER	1	
10	10	818934	35 SCREW (M8 X 35)	2	
11		814190	CARRIER	1	
12	25	814191	GROMMET	1	
13		814189	POPPET	1	
14	24	64878	SPRING	1	
15		65664A	1 RELIEF VALVE PLATE ASSEMBLY	1	
16	27	88907	2 GASKET	2	2
17		64877	1 DIAPHRAGM	1	
18	12	76451	WASHER	1	
19	10	69570	SCREW (10-16 X 3/4 IN.)	1	
20	10	818934	35 SCREW (M8 X 35)	6	
21		850306	1 IDLE EXHAUST BOOT	1	
22	54	850896	CLAMP	2	
23		821904	FITTING - TELL TALE	1	
24	19	821908	PLUG	1	
25	12	821915	WASHER	1	
26	22	859600	FITTING	1	
27		821963	1 CHECK VALVE	1	
28	25	30641	O RING	1	
29	11	40138	6 NUT	1	
30		883142A	1 SHIFT LINK KIT	1	(DESIGN II)
31		853968	3 SLIDE	1	(DESIGN II)
32	11	40138	6 NUT	1	
33	23	42994	BUSHING	1	
34		824070	1 UPPER SHIFT SHAFT	1	(LONG)
34		824070	2 UPPER SHIFT SHAFT	1	(X-LONG)
34		824070	3 UPPER SHIFT SHAFT	1	(XX-LONG)
35	23	48237	BUSHING	1	
36		43585	COUPLING	1	
37	32	859626A	1 FLUSH HOSE KIT	1	
38	25	12602	1 GROMMET SPLIT	1	
39	12	25459	2 WASHER	2	